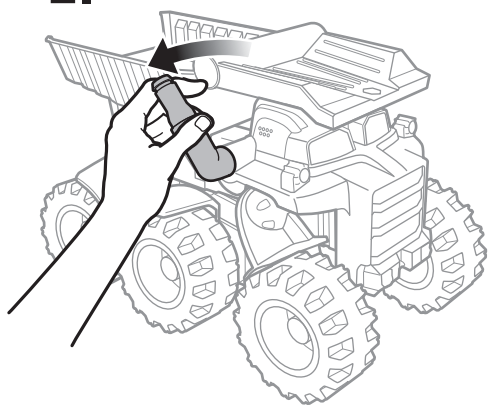
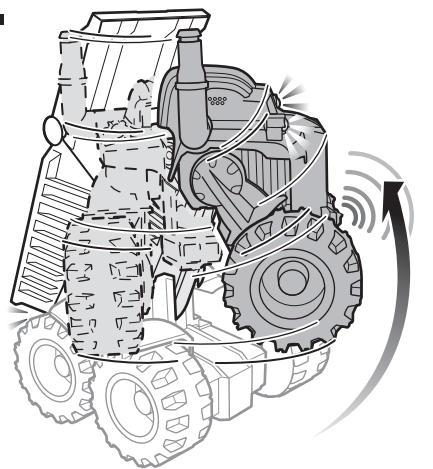
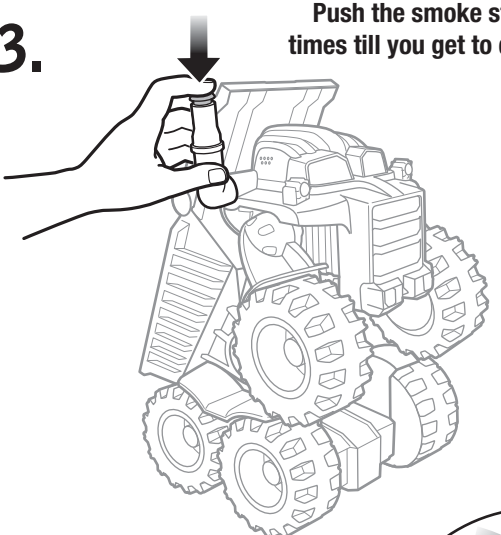
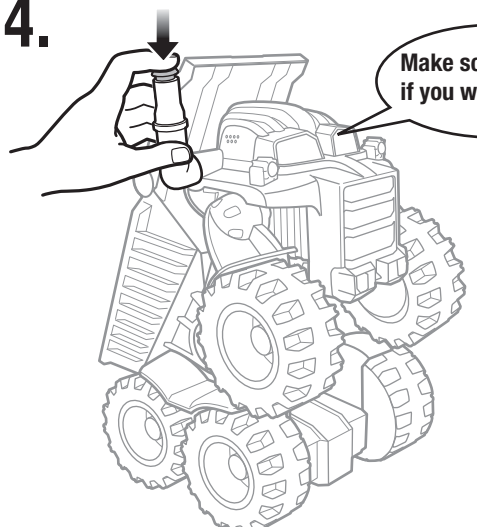

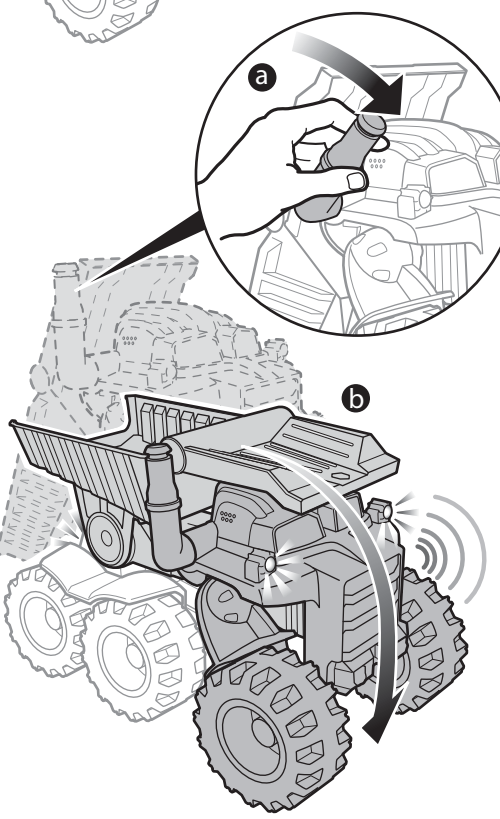



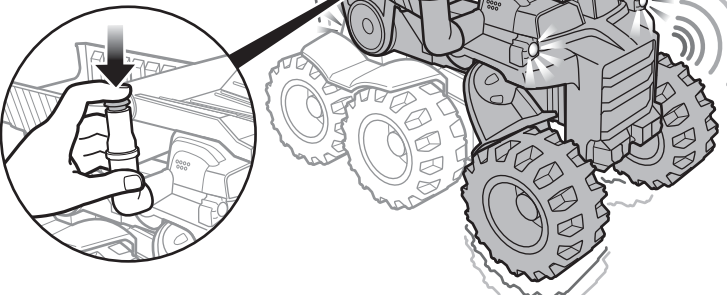
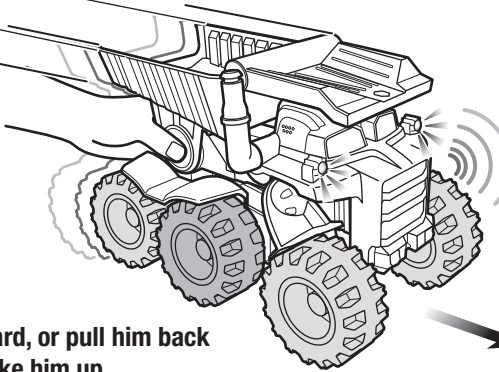
This is a battery-operated product. 1 flyer (00007-184966) is required to be placed inside the packaging.

### DANCING MODE

-  Pull the smoke stack back to get him to stand upright.
-  Make some noise if you wanna dance!
-  Push the smoke stack several times till you get to dancing mode.
-  In Dancing Mode, he will prompt you to make noise if you want him to dance.
-  If you make noise when prompted by him, he will dance!
-  To get him to return to normal truck position, push the smoke stack forward

### SLEEP/AWAKE MODE

Sometimes if you don't do anything with him, he takes a nap and may even snore!!!!

-  1. Wake him up!  
Place something in the dump bed to wake him up!
-  2. Press smoke stack button or push/pull the exhaust stack backwards or forwards to wake him up.
-  3. Push him forward, or pull him back to wake him up.

**MATCHBOX** ROCKY THE ROBOT TRUCK™ Vehicle

**INSTRUCTIONS**

Please keep these instructions for future reference as they contain important information.

### CONTENTS



Rocky the Robot Truck™ is your interactive buddy. He can do lots of different things:

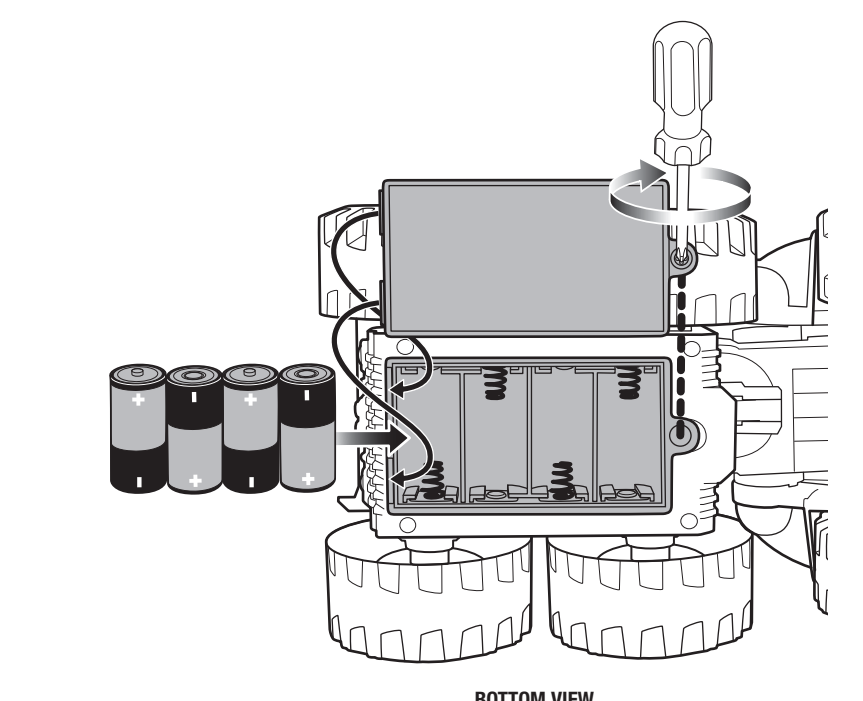
- Dance
- Dump
- Speak
- React

Requires 4 "C" alkaline batteries. Batteries included are for demonstration purposes.

**READY FOR ACTION** 3+ MATCHBOX.COM P4458-0920

© 2009 Mattel, Inc. All Rights Reserved. Mattel, Inc. 636 Girard Avenue, East Aurora, NY 14052 U.S.A. Consumer Relations 1 (800) 524-8697 service.mattel.com • Mattel Canada Inc. Mississauga, Ontario L5R 3W2. You may call us free at 1-800-524-8697. • Mattel U.K. Ltd., Vanwall Business Park, Maidenhead SL6 4UB. Helpline 01628500303 • Mattel Australia Pty Ltd., Richmond, Victoria, 3121. Consumer Advisory Service - 1300 135 312 • Mattel East Asia Ltd., Room 1106, South Tower, World Finance Centre, Harbour City, Tsimshatsui, HK, China. • Dilimport & Diederkan Olieh: Mattel SEA Ptd Ltd. (993532-P) Lot 13.5, Menara Lien Hoe, Persiaran Tropicana Golf Country Resort, 47410 PJ. Tel: 03-78803817, Fax: 03-78803867.

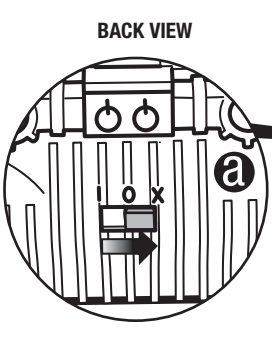
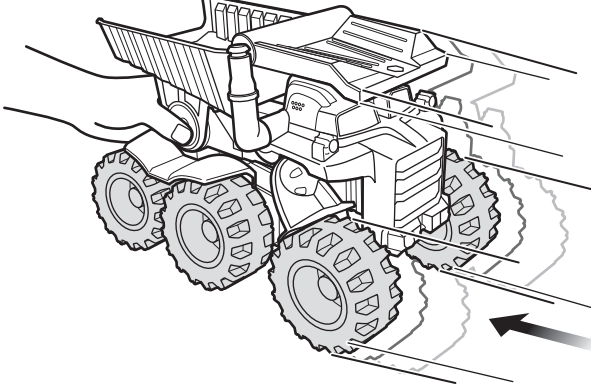
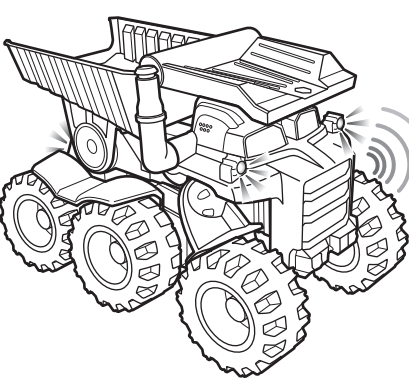
### BATTERY INSTALLATION / REPLACEMENT



- Remove battery cover with a Phillips head screwdriver (not included).
  - Remove batteries included for demonstration purposes and dispose of them safely.
  - Install 4 new "C" alkaline batteries in the orientation (+/-) shown.
  - Replace battery cover and tighten screw.
  - Replace the batteries if the product does not function properly.
- BATTERY SAFETY INFORMATION**
- In exceptional circumstances batteries may leak fluids that can cause a chemical burn injury or ruin your product. To avoid battery leakage:
    - Non-rechargeable batteries are not to be recharged.
    - Rechargeable batteries are to be removed from the product before being charged (if designed to be removable).
    - Rechargeable batteries are only to be charged under adult supervision (if designed to be removable).
    - Do not mix alkaline, standard (carbon-zinc), or rechargeable (nickel-cadmium) batteries.
  - Do not mix old and new batteries.
  - Only batteries of the same or equivalent type as recommended are to be used.
  - Batteries are to be inserted with the correct polarity.
  - Exhausted batteries are to be removed from the product.
  - The supply terminals are not to be short-circuited.
  - Dispose of battery(ies) safely.
  - Do not dispose of this product in a fire. The batteries inside may explode or leak.

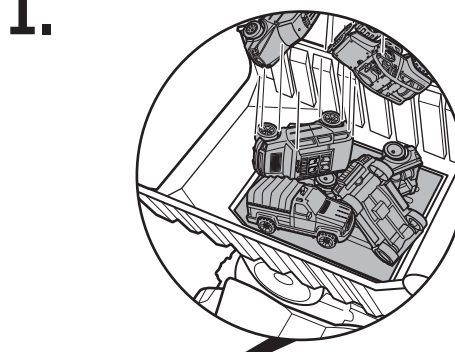
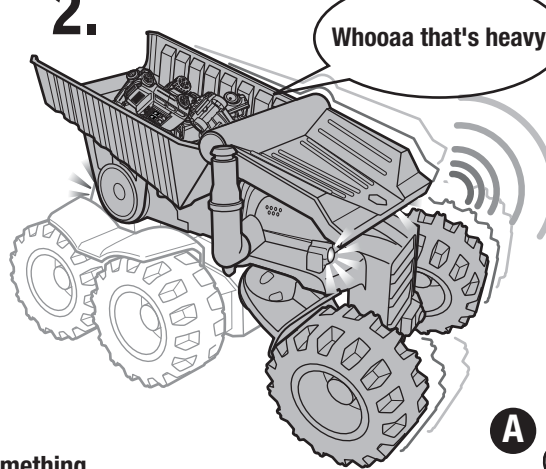
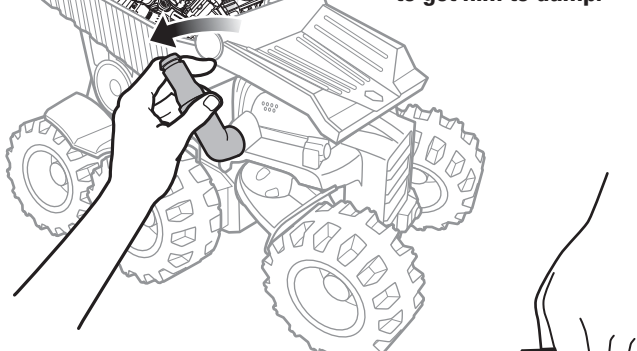
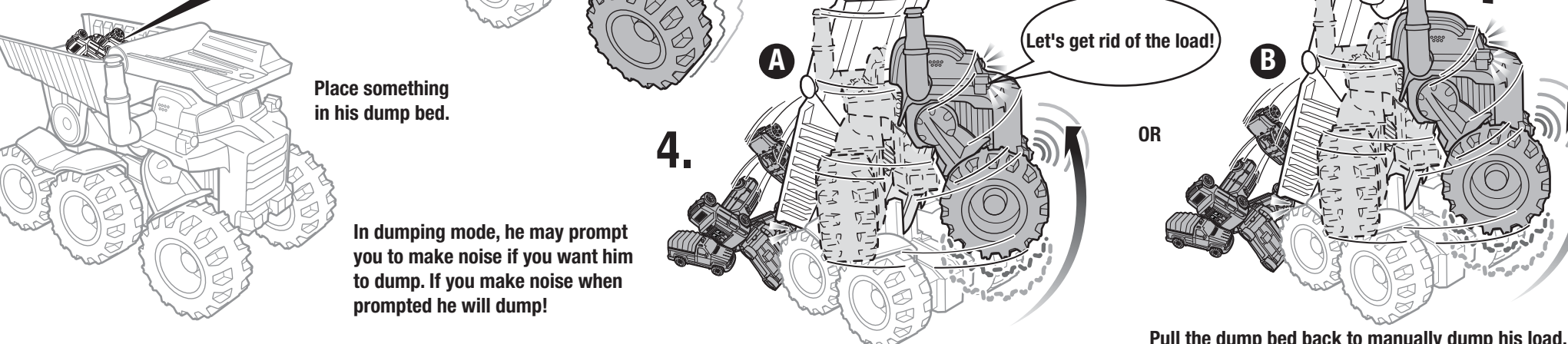
Protect the environment by not disposing of this product with household waste [2002/96/EC]. Check your local authority for recycling advice and facilities.

### PUSH/PULL MODE

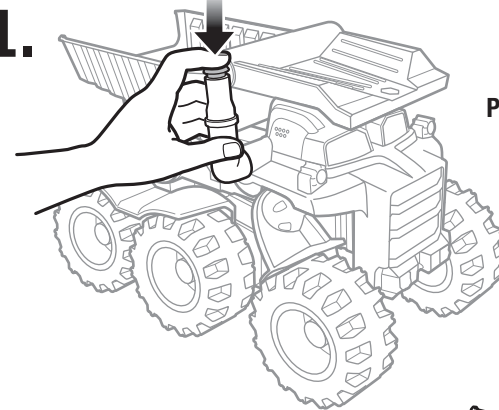
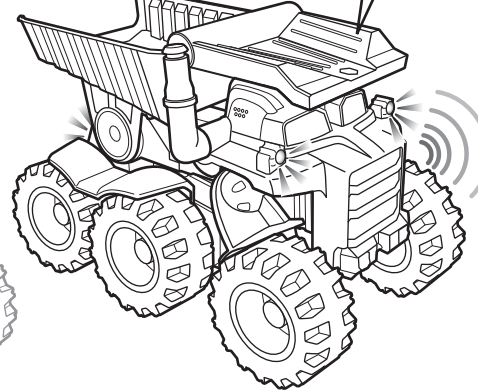
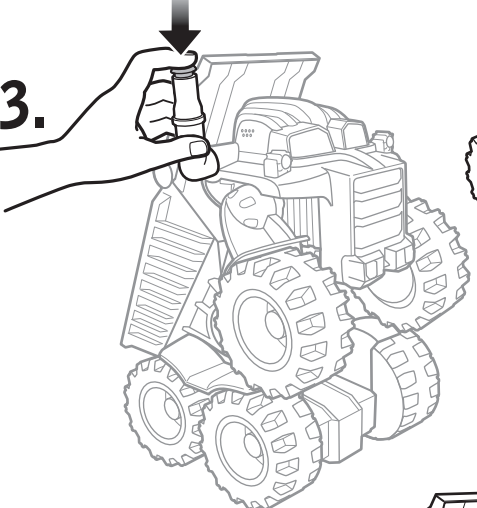

-  BACK VIEW
-  Push him forward, or pull him backward to activate lights and sounds.
- 

X-----Try-Me  
O-----Off  
I-----On

### DUMPING MODE

-  Place something in his dump bed.
-  Whoaaa that's heavy!
-  Pull the smoke stack back to get him to dump.
-  Let's get rid of the load!  
OR  
Manual Dump: Pull the dump bed back to manually dump his load.

### SPEAKING MODE

-  Press his smoke stack continuously to hear his different phrases.
-  Hi, I'm Rocky!
- 
-  When he is upright, you can push the smoke stack continuously to hear more phrases.  
Great job champ!